

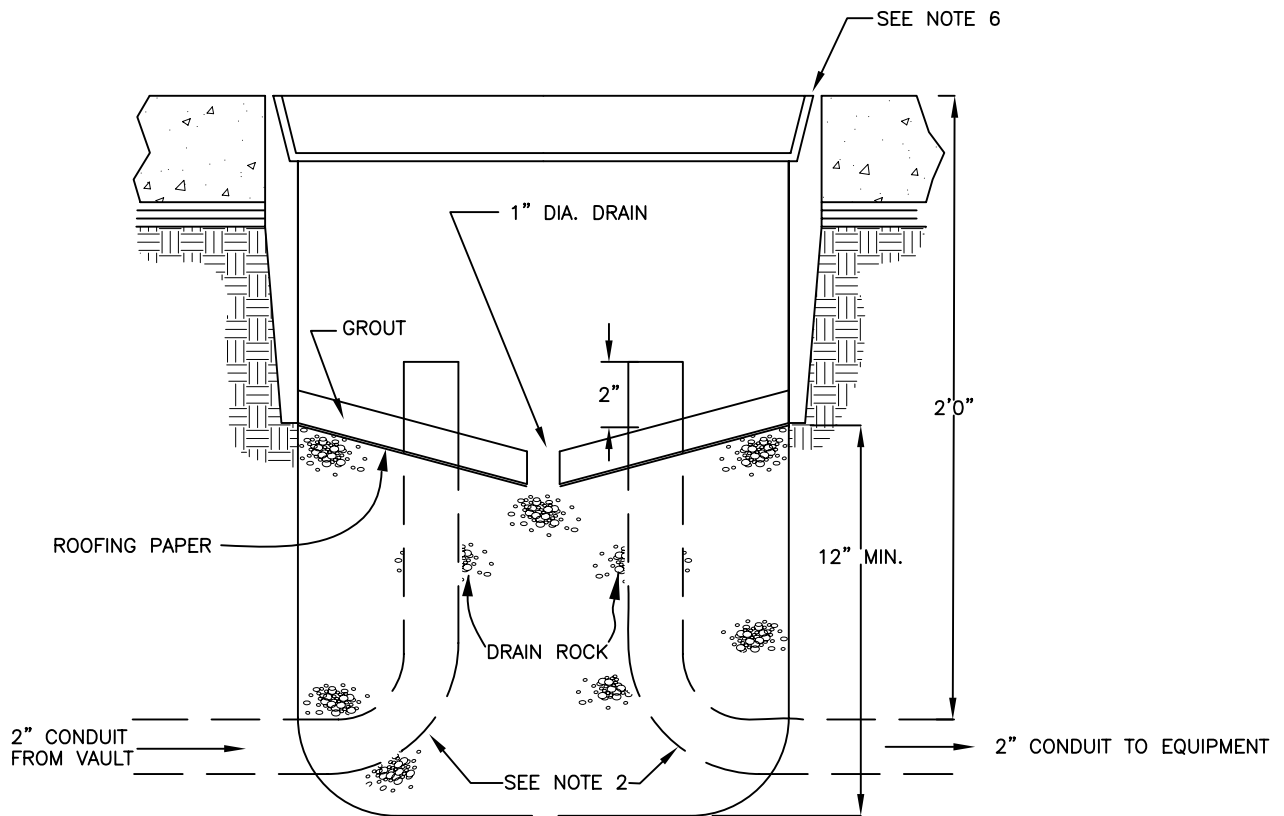
SCHEMATIC STREET LIGHT WIRING DIAGRAM

NOTES:

1. DESIGN SHALL CONFORM TO THESE REQUIREMENTS EXCEPT AS OTHERWISE APPROVED BY THE CITY ENGINEER.
2. FUSE TO BE USED AS SPECIFIED BY FIXTURE MANUFACTURER AND SHALL BE INSTALLED AT EACH PULL BOX SERVING A STREET LIGHT.
3. SEE STREET LIGHT STANDARDS SPECIFICATIONS (E 00)

E 01 STREET LIGHT STANDARD.dwg REVISED 2-23-2007

DATE: 09-21-00	CITY OF ARCATA	
DWN: JEE	STREET LIGHT STANDARD WIRING DIAGRAM	APPROVED R.C. CLASS:
CHK: DEH		
DWG NO: E 01		R.C.E. 56487 EXP. 06/30/09



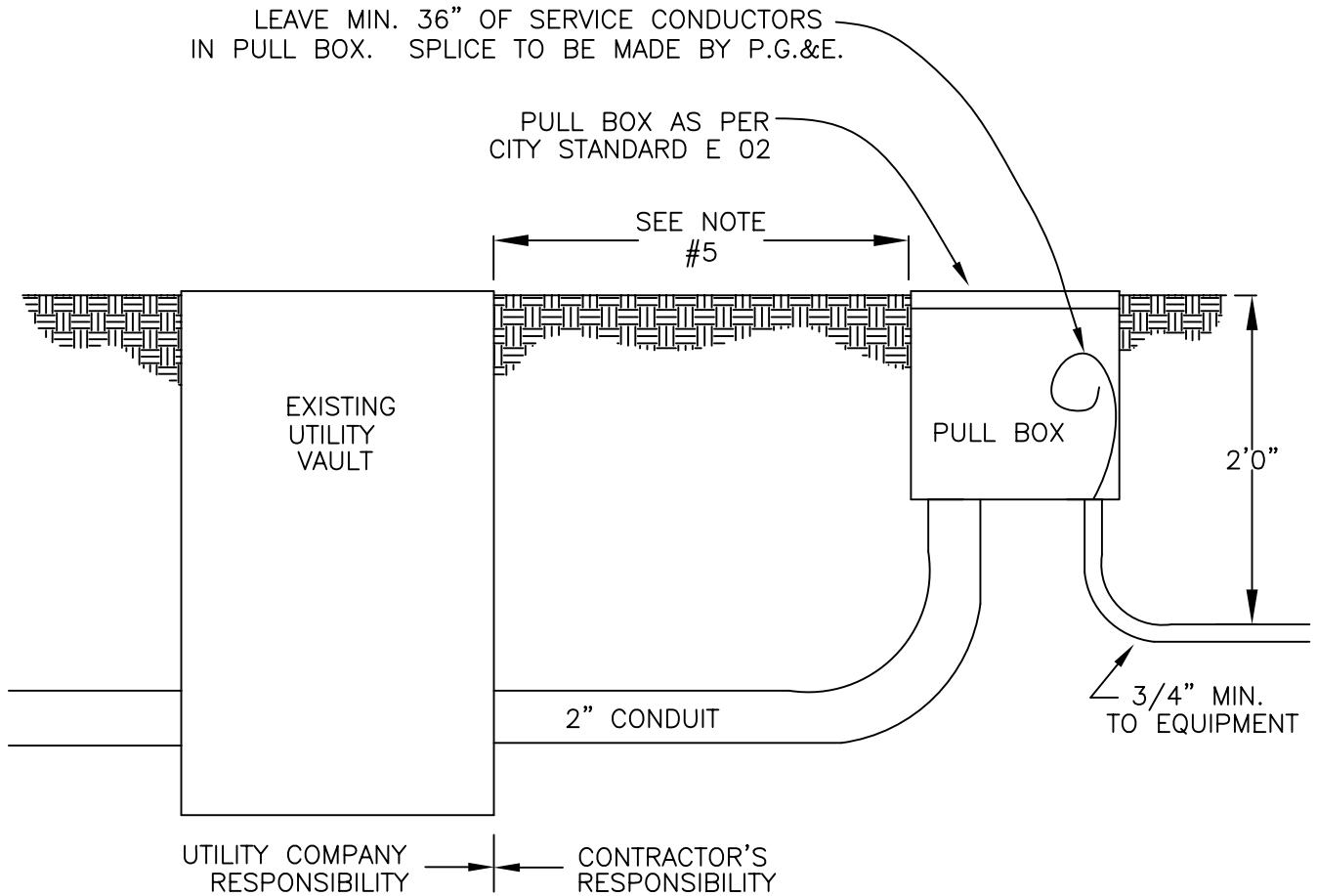
CONCRETE PULLBOX

NOTES:

1. DESIGN SHALL CONFORM TO THESE REQUIREMENTS EXCEPT AS OTHERWISE APPROVED BY THE CITY ENGINEER.
2. 90° FACTORY-MANUFACTURED LONG RADIUS BEND, TYPICAL
3. PULLBOX COVERS SHALL BE BOLTED AND INSCRIBED "STREET LIGHTING".
4. A STANDARD BOX AND LID SHALL BE "CRISTY" OR EQUAL, AS APPROVED BY THE CITY ENGINEER.
5. WITHIN EACH PULL BOX, SUFFICIENT SLACK SHALL BE LEFT TO EXTEND WIRE 18 INCHES ABOVE THE TOP OF PULL BOX GRADE.
6. TOP OF BOX SHALL BE SET AT NEW CURB HEIGHT IN PLANTER AREAS

E 02 PULL BOX INSTALLATION.dwg REVISED 2-23-2007

DATE: 09-21-00	CITY OF ARCATA	APPROVED: R.C. Class
DWN: JEE	PULL BOX INSTALLATION	
CHK: DEH		RCE 56487 EXP 6/30/09
DWG NO: E 02		



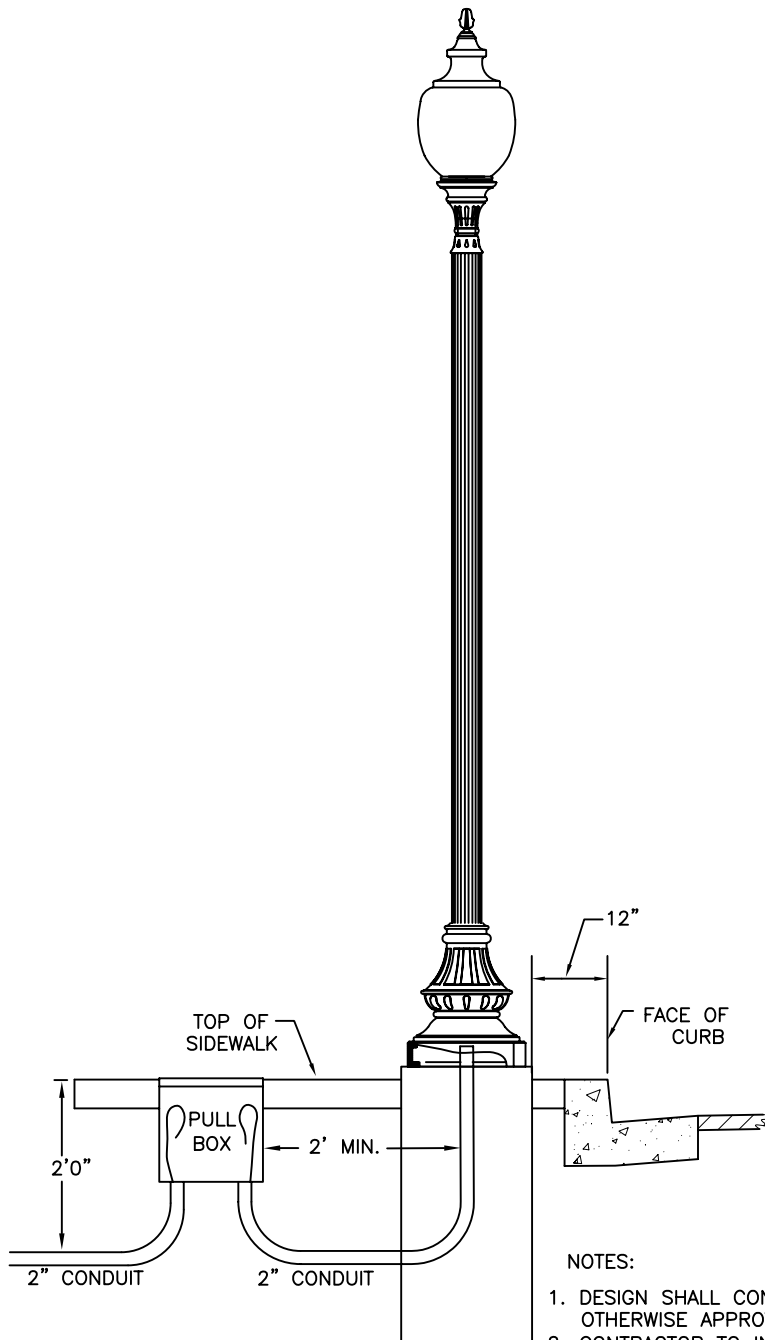
UNDERGROUND SERVICE

NOTES:

1. DESIGN SHALL CONFORM TO THESE REQUIREMENTS EXCEPT AS OTHERWISE APPROVED BY THE CITY ENGINEER.
2. CONTRACTOR TO INSTALL CONDUIT INTO UTILITY CO. VAULT WITH UTILITY CO. REPRESENTATIVE IN ATTENDANCE.
3. CONTRACTOR TO INSTALL PULL BOX AND 2" SERVICE CONDUIT TO UTILITY VAULT, AND 3/4" MIN. CONDUIT AND CONDUCTORS FROM PULL BOX TO EQUIPMENT.
4. CONDUIT AND CONDUCTOR PULL BOX ON SHORT SIDE OF UTILITY VAULT. NO LONG SIDE OR BOTTOM ENTRY TO UTILITY VAULT PERMITTED.
5. 3' MIN. FOR SUBSURFACE TRANSFORMER & 2' MIN. FOR PAD MOUNTED TRANSFORMER.

E 03 UNDERGROUND ELECT SERVICE.dwg REVISED 2-23-2007

DATE: 09-21-00	CITY OF ARCATA	APPROVED R.C. CLASS: R.C.E. 56487 EXP. 06/30/09
DWN: JEE	UNDERGROUND ELECTRIC SERVICE	
CHK: DEH		
DWG NO: E 03		

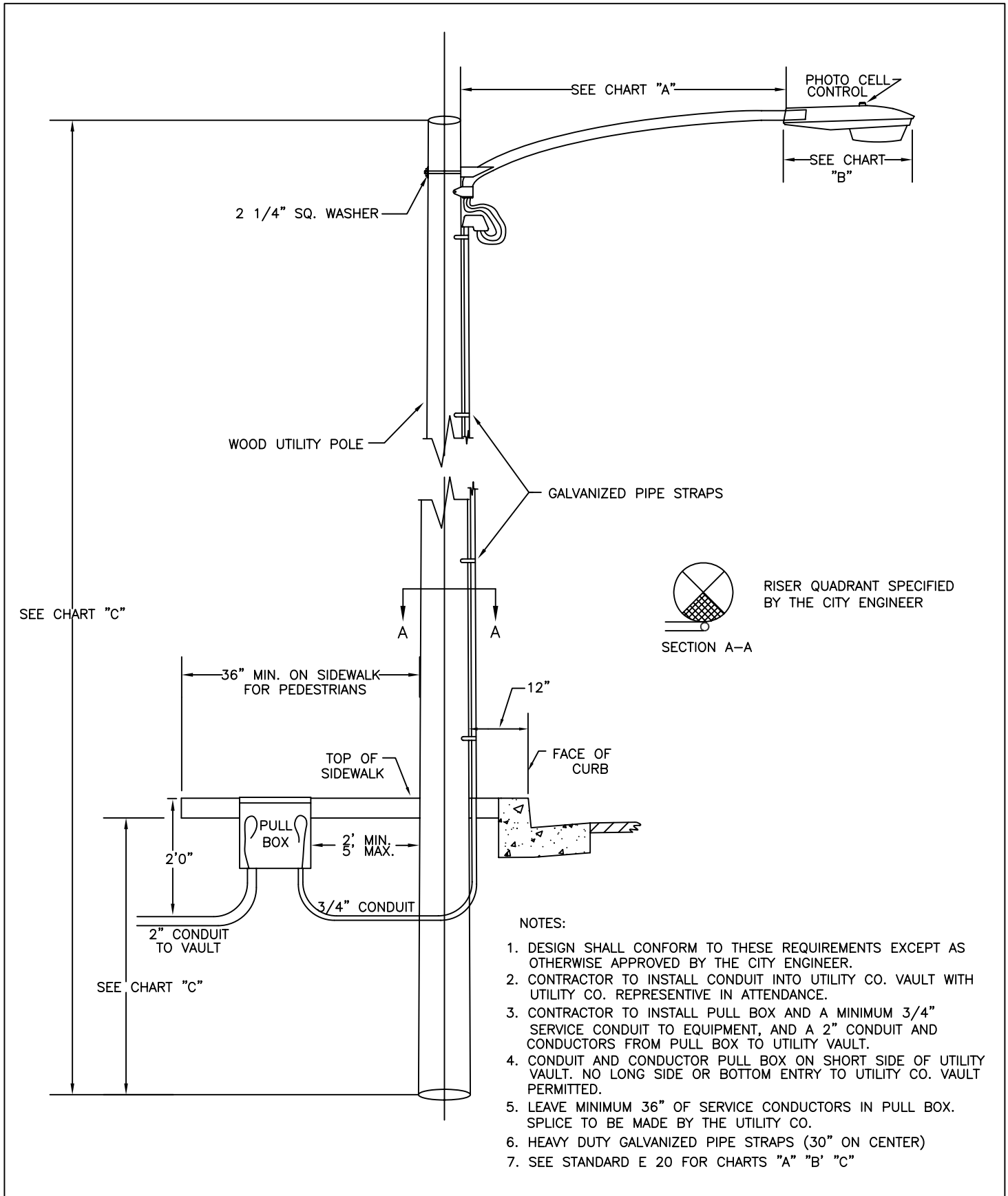


NOTES:

1. DESIGN SHALL CONFORM TO THESE REQUIREMENTS EXCEPT AS OTHERWISE APPROVED BY THE CITY ENGINEER.
2. CONTRACTOR TO INSTALL CONDUIT INTO UTILITY CO. VAULT WITH UTILITY CO. REPRESENTATIVE IN ATTENDANCE.
3. CONTRACTOR TO INSTALL PULL BOX AND A MINIMUM 3/4" SERVICE CONDUIT TO EQUIPMENT, AND A 2" CONDUIT AND CONDUCTORS FROM PULL BOX TO UTILITY VAULT.
4. CONDUIT AND CONDUCTOR PULL BOX ON SHORT SIDE OF UTILITY VAULT. NO LONG SIDE OR BOTTOM ENTRY TO UTILITY CO. VAULT PERMITTED.
5. LEAVE MINIMUM 36" OF SERVICE CONDUCTORS IN PULL BOX. SPLICE TO BE MADE BY THE UTILITY CO.
6. HEAVY DUTY GALVANIZED PIPE STRAPS (30" ON CENTER)
7. SEE STANDARD E 20 FOR CHARTS "A" "B" "C"

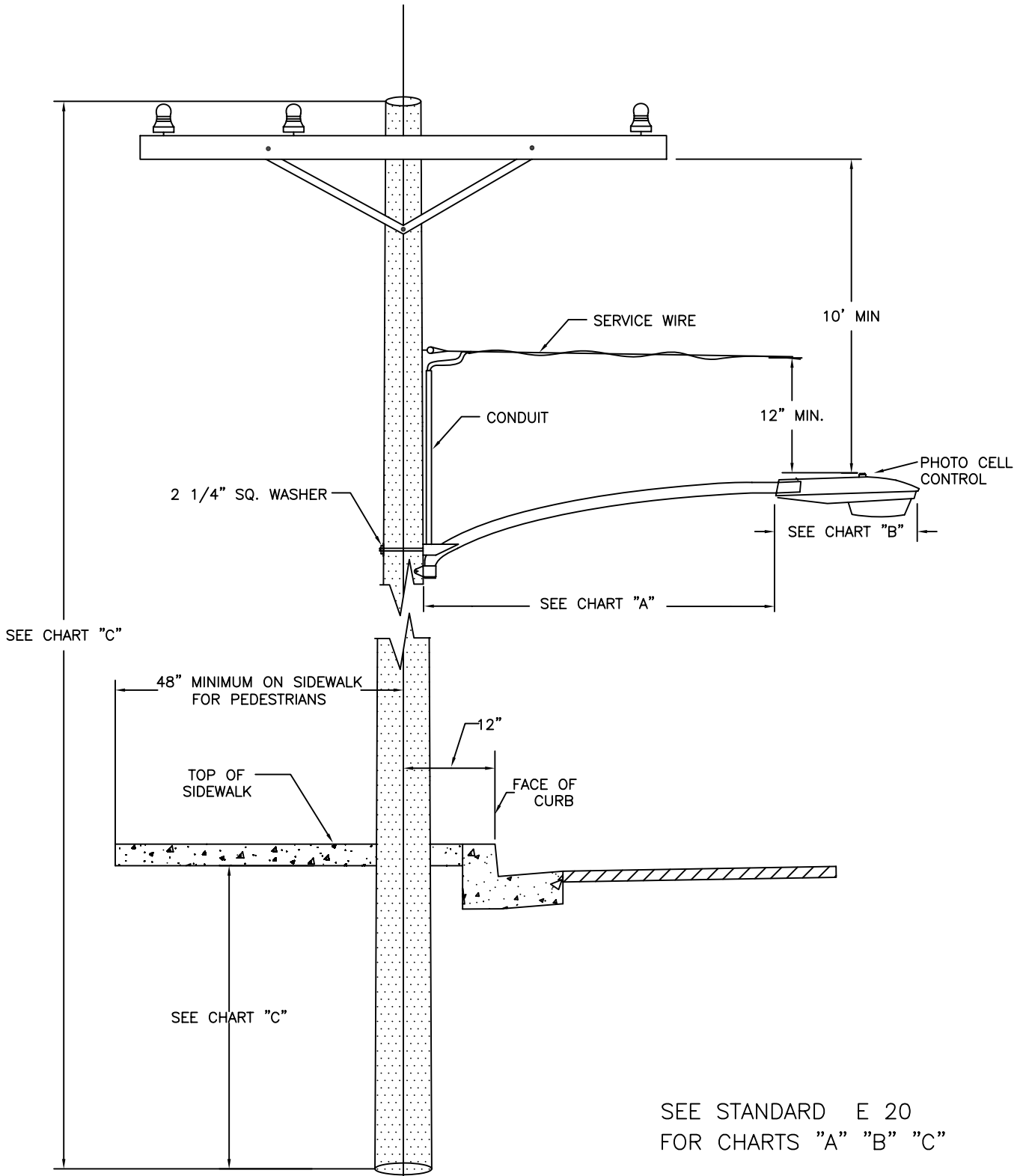
E 14 Architectual Street Light Wireing.dwg REVISED 2-23-2007

DATE: 09-22-00	CITY OF ARCATA	
DWN: JEE	ARCHITECTUAL STREET LIGHT UNDERGROUND SERVICE	
CHK: DEH		APPROVED R.C. CLASS:
DWG NO: E 14		R.C.E. 56487 EXP. 06/30/09



E 15 WOOD POLE UNDERGRND SERV.dwg REVISED 2-23-2007

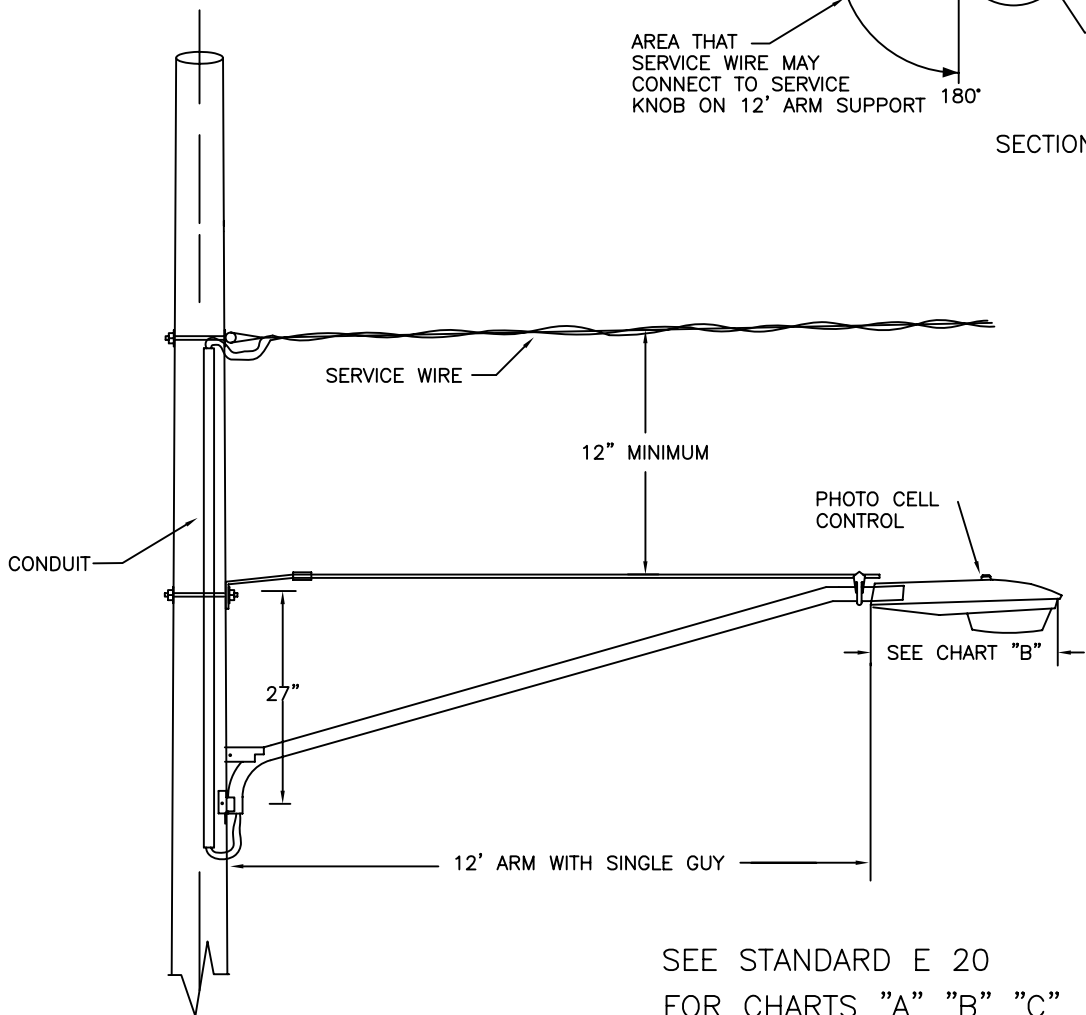
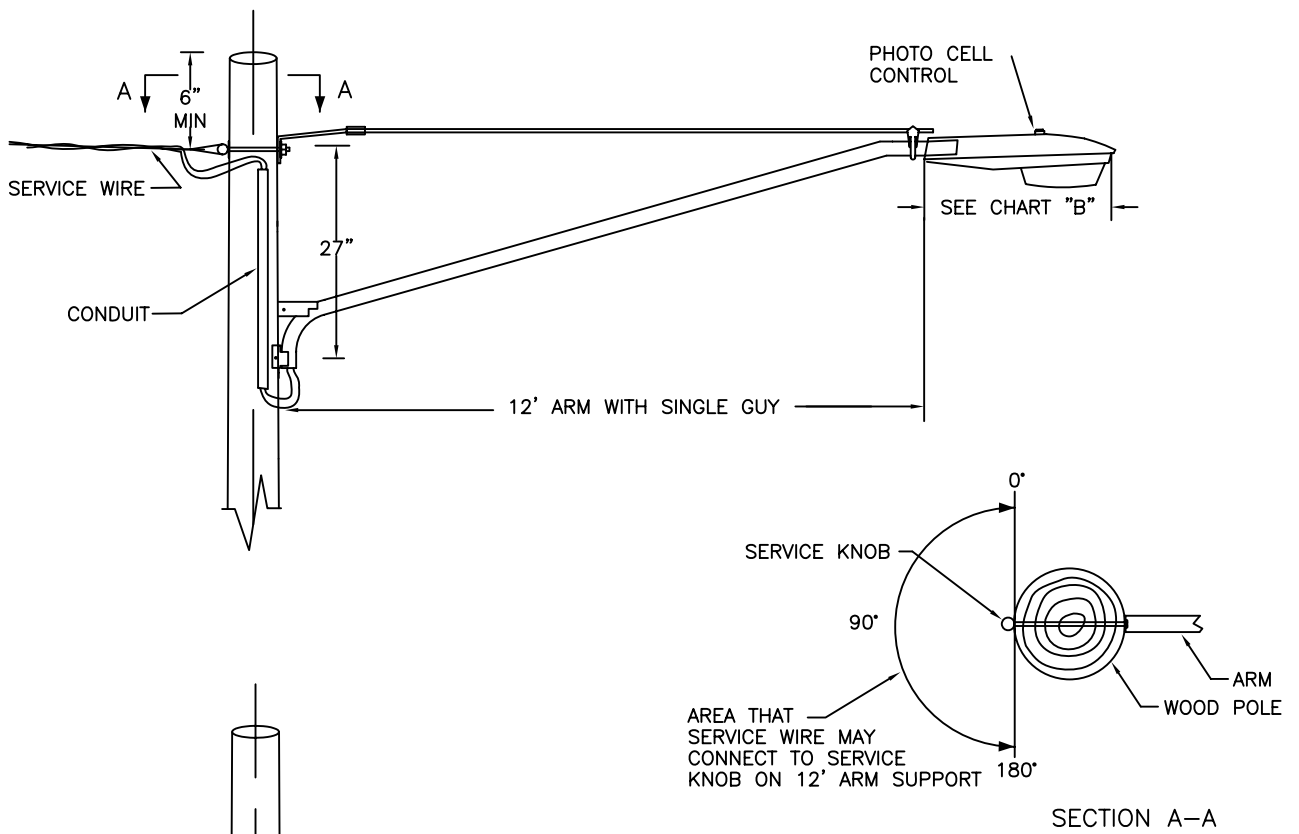
DATE: 09-22-00	CITY OF ARCATA		
DWN: JEE	WOOD POLE UNDERGROUND SERVICE		APPROVED R.C. CLASS:
CHK: DEH			
DWG NO: E 15			R.C.E. 56487 EXP. 06/30/09



SEE STANDARD E 20
FOR CHARTS "A" "B" "C"

E 16 WOOD POLE OVERHEAD SERV.dwg REVISED 2-23-2007

DATE: 11-05-98	CITY OF ARCATA	
DWN: JEE	WOOD POLE OVERHEAD SERVICE	
CHK: DEH		APPROVED R.C. CLASS:
DWG NO: E 16		R.C.E. 56487 EXP. 06/30/09



SEE STANDARD E 20
FOR CHARTS "A" "B" "C"

E 17 - 12 FT ARM ON WOOD POLE.dwg REVISED 2-23-2007

DATE: 11-05-98	CITY OF ARCATA	APPROVED R. C. CLASS: R.C.E. 56487 EXP. 6/30/09
DWN: JEE	12' ARM DETAIL ON WOOD POLE	
CHK: DEH		
DWG NO: E 17		

CHART "A"

GALVANIZED STEEL PIPE BRACKETS (2" DIA.)

2.5 FT. CANTILEVER STYLE
 6.0 FT. CANTILEVER STYLE
 12.0 FT. CANTILEVER STYLE WITH SINGLE GUY
 LENGTH SHALL BE APPROPRIATE TO THE SETBACK FROM THE ROADWAY

CHART "B"

ROADWAY LIGHTING SYSTEM (2" DIA.)

LUMINAIRES SHALL BE GENERAL ELECTRIC M-250R2 SERIES, OR EQUAL
 70 WATT HIGH PRESSURE SODIUM (HPS) LAMP (120 VOLTS)
 100 WATT HPS LAMP (120 VOLTS)
 200 WATT HPS LAMP (120 VOLTS)

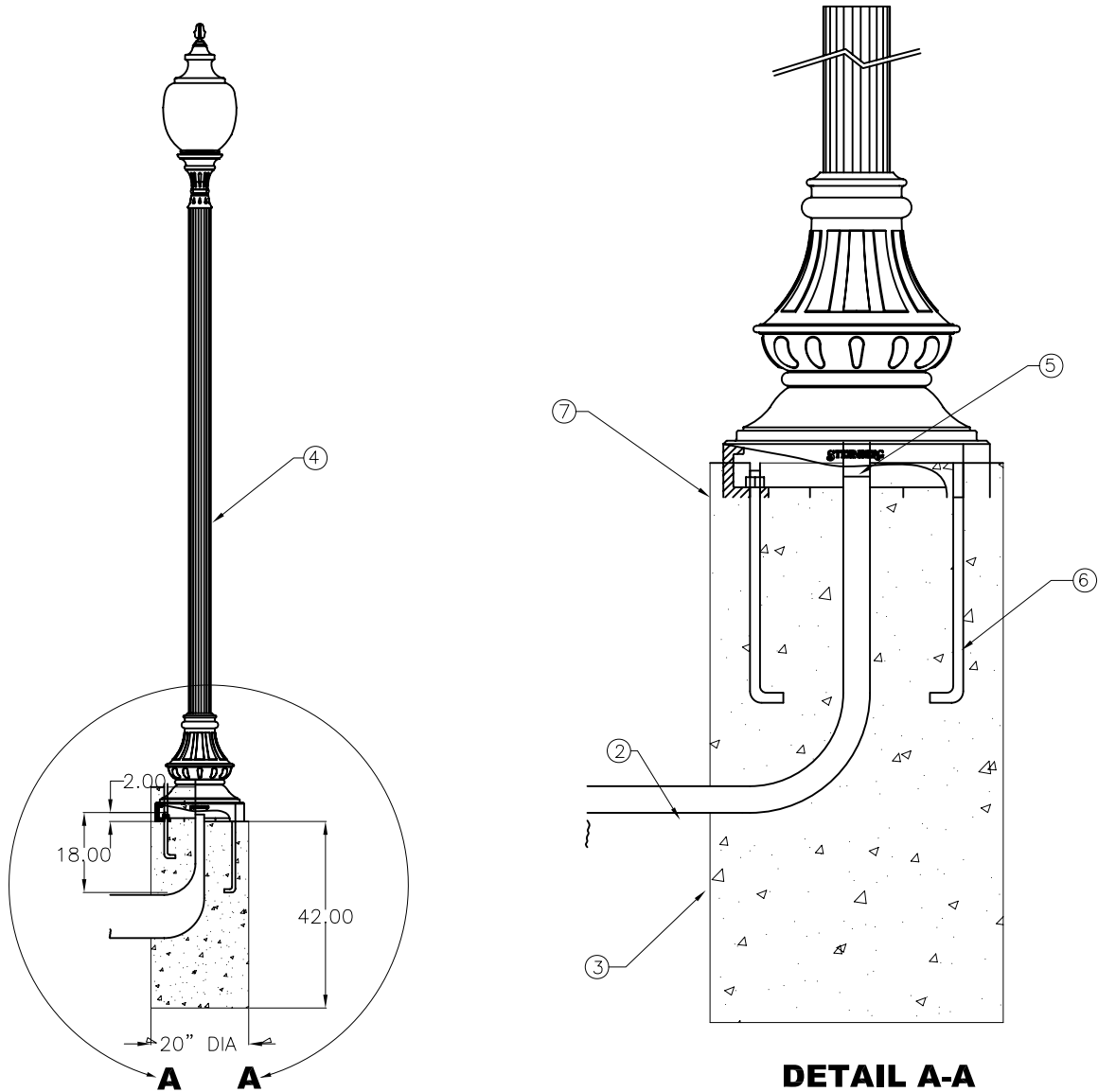
CHART "C"

POLES:

LENGTH IN FEET	DEPTH IN THE GROUND	CIRCUMFERENCE 6 FT FROM BUTT END		CIRCUMFERENCE TOP END	
		MIN.	MAX.	MIN.	MAX.
25 FEET	4.5 FEET	25.5 "	28.7 "	20.4 "	23.6 "
30 FEET	5.0 FEET	28.0"	31.2 "	20.4 "	23.6 "
35 FEET	5.0 FEET	30.0"	33.2 "	20.4 "	23.6 "
40 FEET	5.5 FEET	31.5"	34.7 "	20.4 "	23.6 "

E 20 WOOD POLE CHART.dwg REVISED 2-23-2007

DATE: 11-05-98	CITY OF ARCATA	_____ APPROVED R. C. CLASS: R.C.E. 56487 EXP 6/30/09
DWN: JEE	WOOD POLE CHARTS	
CHK: DEH		
DWG NO: E 20		



DETAIL A-A
 TYPICAL FOUNDATION DETAIL FOR STERNBERG
 5200 STYLE POLE BASE

NOTES:

1. DESIGN SHALL CONFORM TO THESE REQUIREMENTS EXCEPT AS OTHERWISE APPROVED BY THE CITY ENGINEER.
2. 2" PVC CONDUIT. 90° FACTORY-MANUFACTURED LONG RADIUS BEND, TYPICAL.
3. CONCRETE DEPTH MUST BE A MINIMUM OF 42 INCHES DEEP, AND 20 INCHES IN DIAMETER.
4. THIS DETAIL USED FOR INSTALLATION OF STERNBERG MODEL 5200 BARRINGTON STYLE POLE WITH A 850/A850SR OLD TOWN SERIES ACORN FIXTURE.
5. A TOTAL OF 2 FEET OF SLACK WIRE SHALL BE LEFT INSIDE EACH STANDARD.
6. 4 EACH - 3/4" DIA X 18 IN LONG, STEEL, GALVANIZED ANCHOR BOLTS.
7. NEW SL FOUNDATION TO BE 1.5" ABOVE ADJACENT CURB OR SIDEWALK.
8. STERNBERG P/N: A850SR/508/6218FP5/150HPS/MULTI/RE6G/PEC1/BK HIGH PRESS SODIUM 150 WATT,.
9. BULB: WESTINGHOUSE ITEM#: 37442 LU150/MED/S55 HIGH PRESSURE SODIUM MEDIUM BASE.

E 21 ARCH STREET LITE.dwg REVISED 2-23-2007

DATE: 06-07-05	CITY OF ARCATA	
DWN: MCE	ARCHITECTURAL STREET LIGHT	APPROVED R.C. CLASS:
CHK: TWB		R.C.E. 56487 EXP. 06/30/09
DWG NO: E 21		