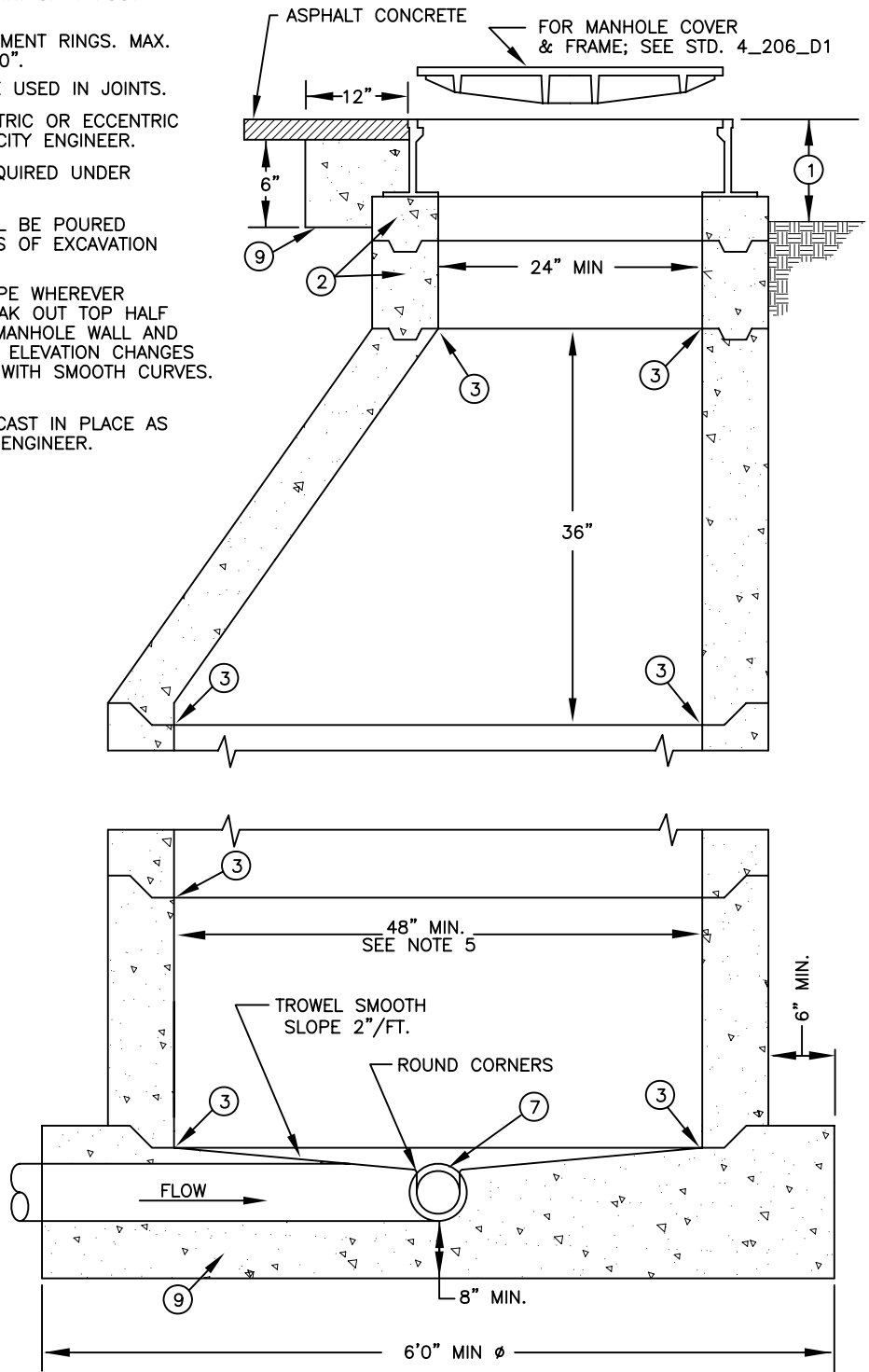


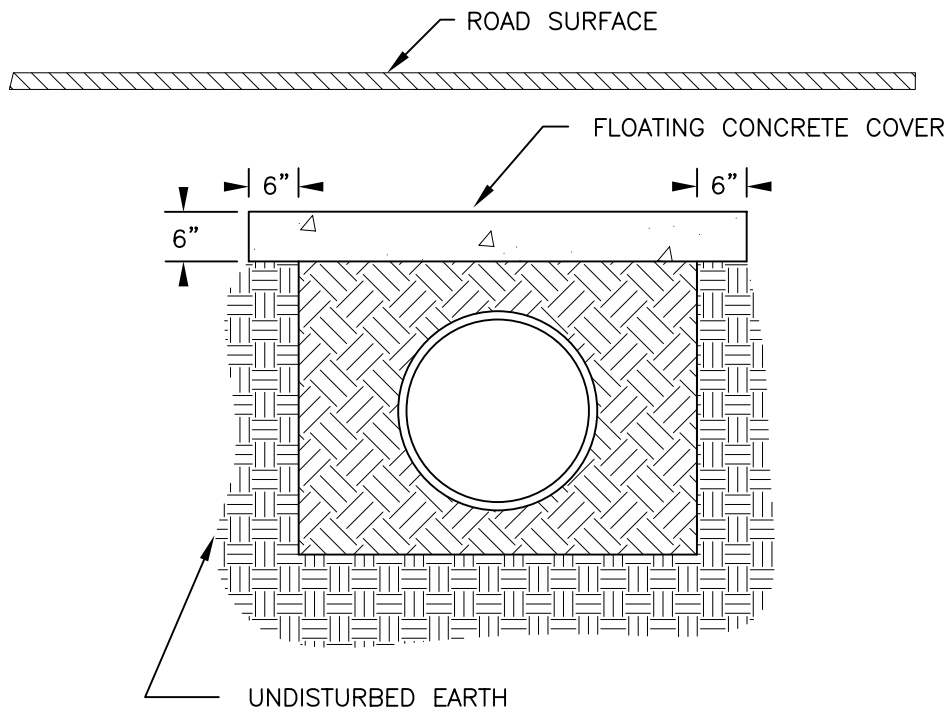
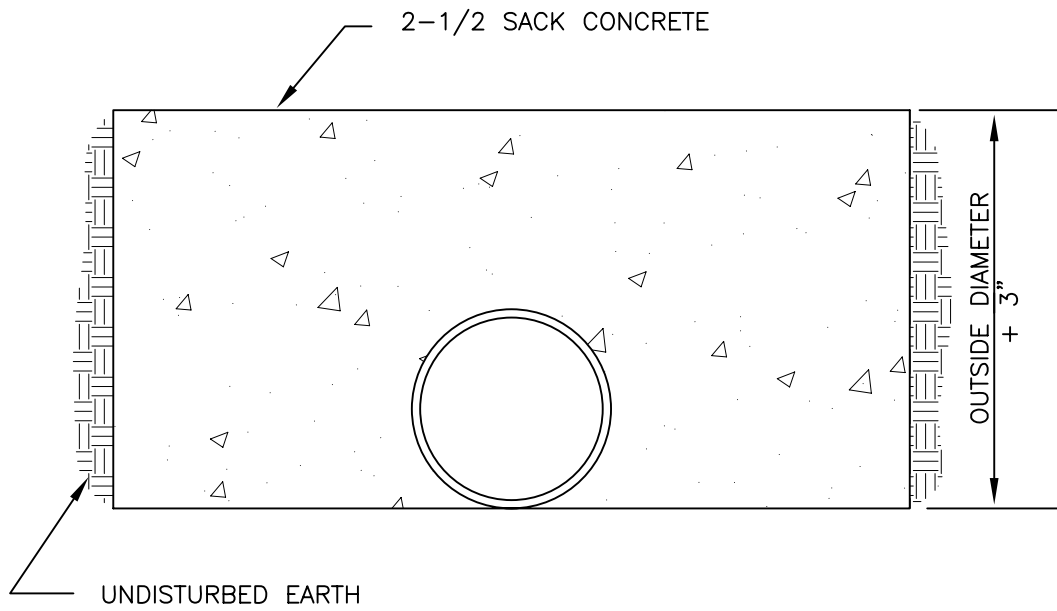
NOTES:

1. WHEN MANHOLES ARE INSTALLED IN UNIMPROVED AREAS, THE TOP OF THE COVER SHALL BE A MIN. OF 1 FOOT ABOVE ADJACENT GRADE.
2. MIN. OF ONE 3" AND 6" GRADE ADJUSTMENT RINGS. MAX. HEIGHT OF GRADE ADJUSTMENT RINGS 20".
3. RAM-NEK OR APPROVED EQUAL MAY BE USED IN JOINTS.
4. CONE SECTION MAY BE EITHER CONCENTRIC OR ECCENTRIC UNLESS OTHERWISE SPECIFIED BY THE CITY ENGINEER.
5. LARGER DIAMETER BARRELS MAY BE REQUIRED UNDER SPECIAL CIRCUMSTANCES.
6. 6' MIN. ϕ CLASS "A" P.C.C. BASE SHALL BE POURED FULL THICKNESS TO UNDISTURBED SIDES OF EXCAVATION OR SHALL BE FORMED.
7. CONSTRUCT ALL FLOW CHANNELS OF PIPE WHEREVER POSSIBLE. AFTER BASE IS POURED BREAK OUT TOP HALF OF PIPE FLUSH WITH INSIDE FACE OF MANHOLE WALL AND CONSTRUCT U-SHAPED CHANNEL. MAKE ELEVATION CHANGES GRADUALLY AND DIRECTIONAL CHANGES WITH SMOOTH CURVES. SET RING BASE IN MORTAR.
8. BARREL AND TAPER SECTIONS MAY BE CAST IN PLACE AS APPROVED AND DIRECTED BY THE CITY ENGINEER.
9. CLASS "B" CONCRETE



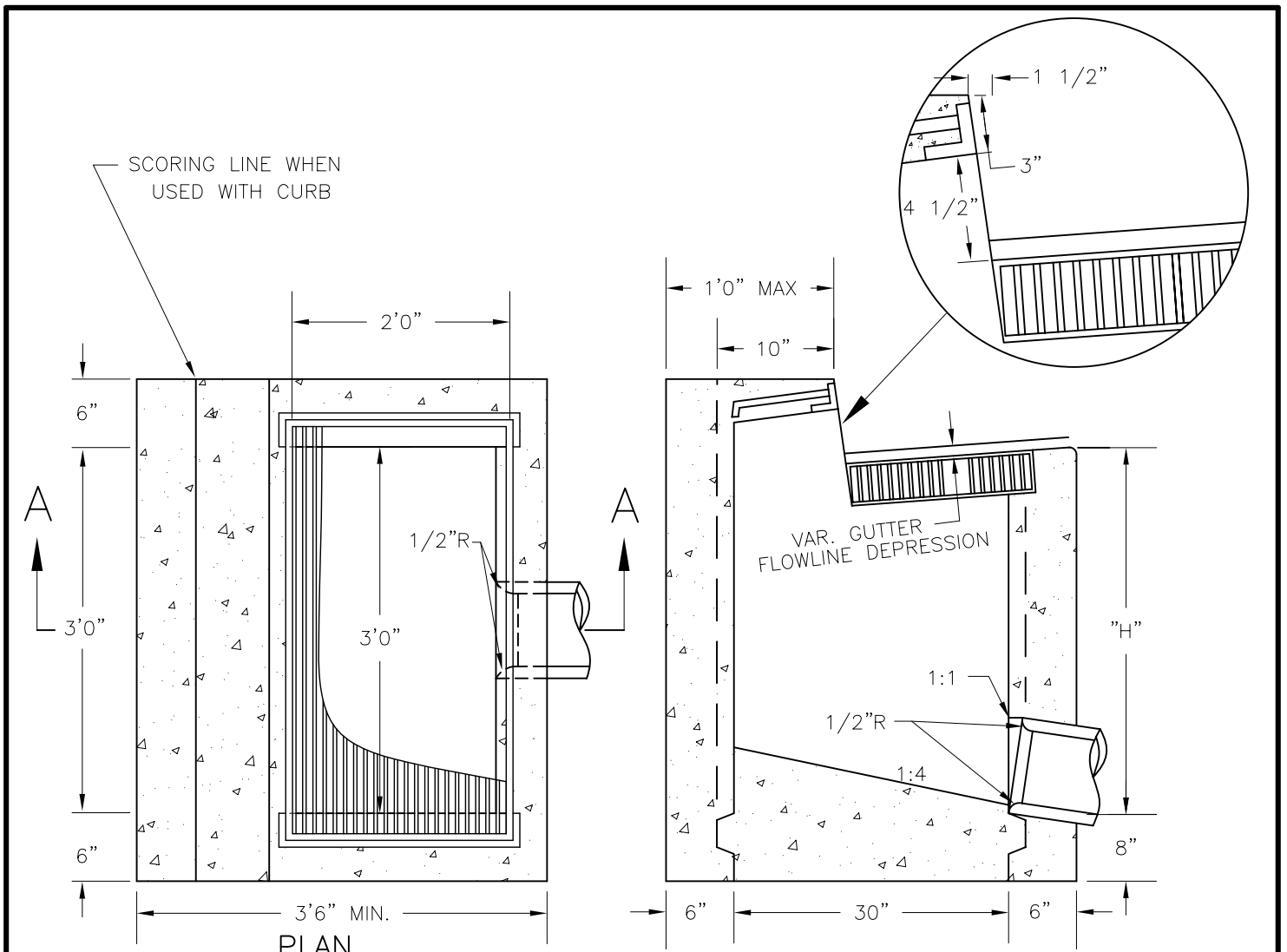
D 01 Precast Manhole.dwg REVISED 2-23-2007

DATE: 10-31-96	CITY OF ARCATA	APPROVED: R.C. Class RCE 56487 EXP 6/30/07
DWN: JEE	STD. PRECAST CONCRETE MANHOLE STORM DRAIN	
CHK: SRB		
DWG NO: D 01		



D 02 Pipe Encasement.dwg REVISED 2-23-2007

DATE: 11-01-96	CITY OF ARCATA	APPROVED: R.C. Class
DWN: JEE	PIPE ENCASEMENT	
CHK: SRB		
DWG NO: D 02		RCE 56487 EXP 6/30/09

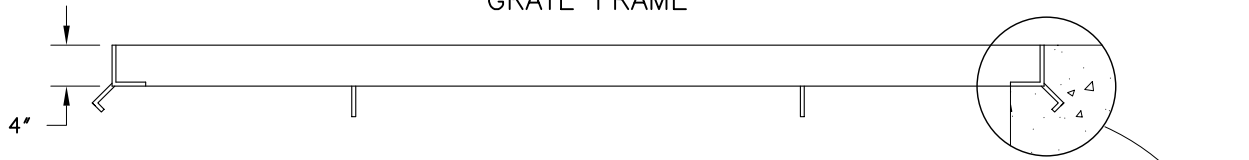
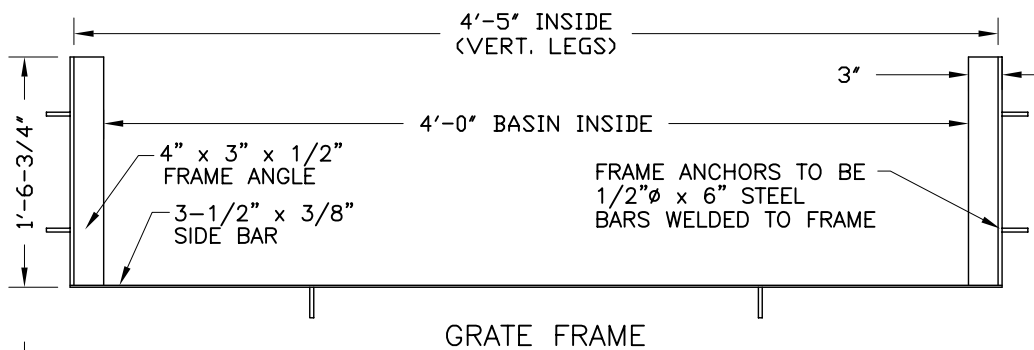
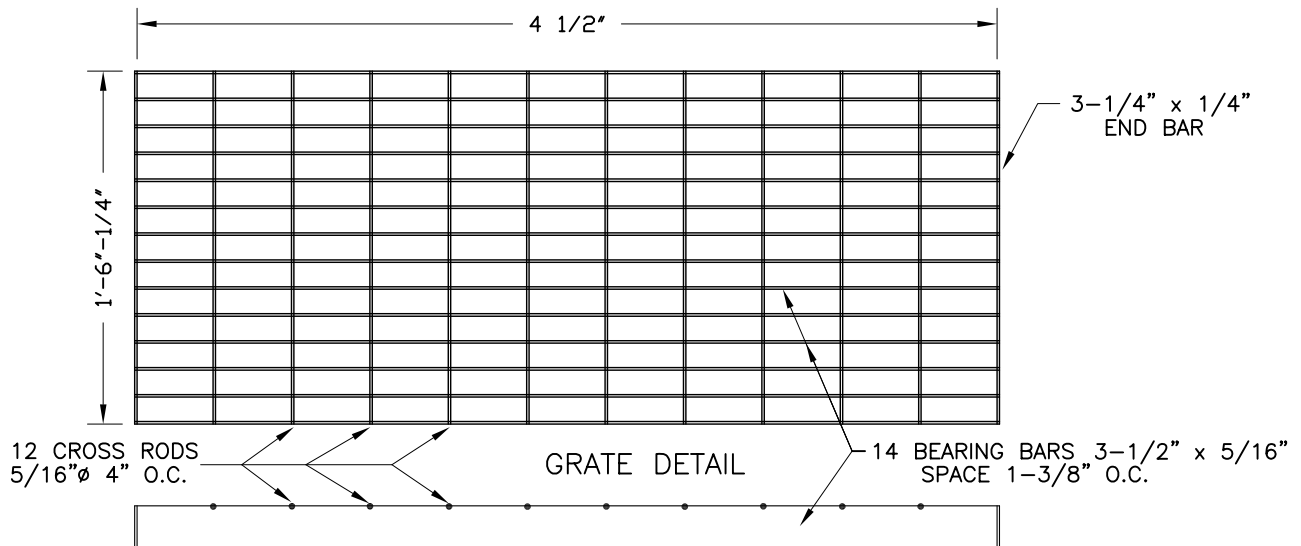


NOTES:

1. "H" IS THE DIFFERENCE IN ELEVATION BETWEEN THE OUTLET PIPE FLOW LINE AND THE NORMAL GUTTER GRADE LINE UNDEPRESSED.
2. WALL REINFORCING NOT REQUIRED WHEN "H" IS 2.5 m OR LESS AND THE UNSUPPORTED WIDTH OR LENGTH IS 2.1 m OR LESS. WALLS EXCEEDING THESE LIMITS SHALL BE REINFORCED WITH # 13 BARS AT 450 mm± CENTERS PLACED 40 mm CLEAR TO INSIDE OF BOX UNLESS OTHERWISE SHOWN.
3. INLET BOTTOM REINFORCING NOT REQUIRED. SEE STND xxxx FOR ALTERNATIVE REINFORCED BOTTOM.
4. WHEN SHOWN ON THE PROJECT PLANS, PLACE A # 19 PROTECTION BAR HORIZONTALLY ACROSS THE LENGTH OF THE OPENING AND BEND BACK 100 m INTO THE INLET WALL ON EACH SIDE.
5. PIPE(S) CAN BE PLACED IN ANY WALL.
6. CURB SECTION SHALL MATCH ADJACENT CURB.
7. BASIN FLOORS SHALL HAVE WOOD TROWEL FINISH AND SHALL SLOPE TOWARD THE OUTLET PIPE AS SHOWN.
8. GALVANIZING – SEE STND. SPECIFICATIONS
9. SEE STND. D 05 FOR GRATE AND FRAME DETAILS AND MASSES OF MISCELLANEOUS IRON AND STEEL.
10. SEE CALTRAN STND D 78 FOR GUTTER DEPRESSION DETAILS.
11. FULL PENETRATION BUTT WELDS MAY BE SUBSTITUTED FOR THE FILLET WELDS ON ALL ANCHORS.
12. STND. SQUARE, HEXAGON, ROUND OR EQUIVALENT HEADED ANCHORS MAY BE SUBSTITUTED FOR RIGHT ANGLE HOOKS ON THE ANCHORS SHOWN ON THIS PLAN.
13. CAST-IN-PLACE OR PRECAST ALTERNATIVE IS OPTIONAL WITH CONTRACTOR. SEE STANDARD SPECIFICATIONS.

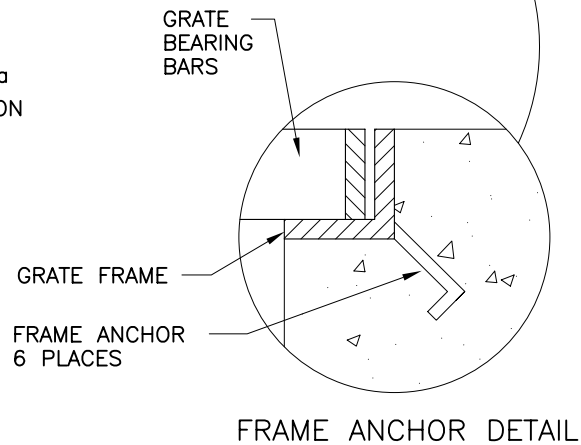
D 05 Type GO Drain Inlet.dwg REVISED 2-23-2007

DATE: 10-04-01	CITY OF ARCATA	APPROVED: R.C. Class RCE 56487 EXP 6/30/09
DWN: JEE	TYPE "GO" DRAIN INLET	
CHK: SRB		
DWG NO: D 05		



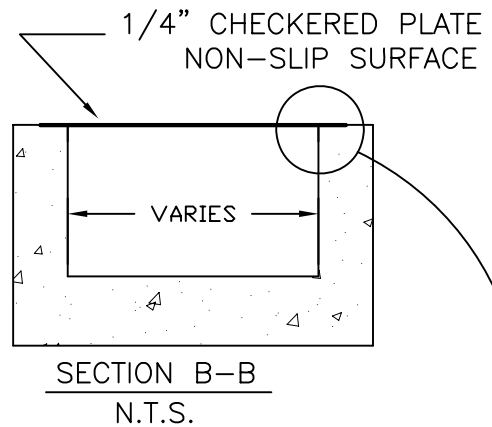
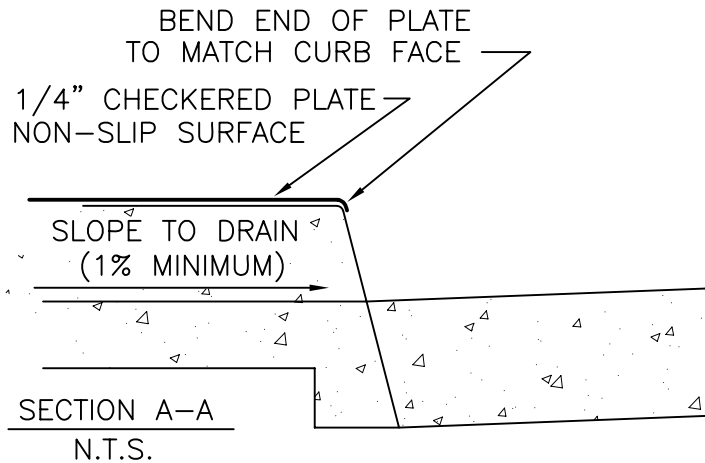
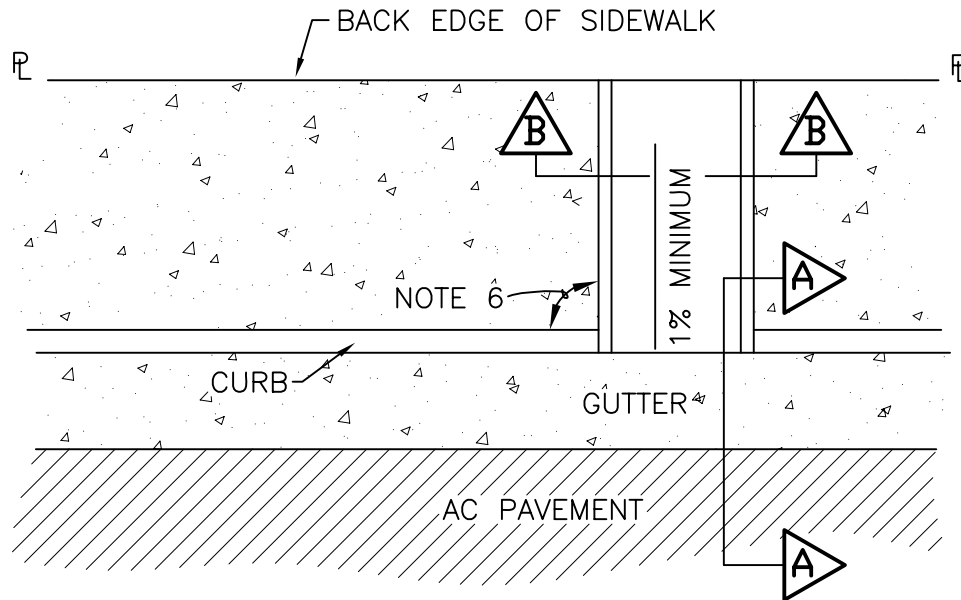
NOTES:

1. GRATE AND FRAME FABRICATED FROM DOMESTIC STEEL
2. GRATE AND FRAME ARE OF ALL WELDED CONSTRUCTION AND MANUFACTURED PER FEDERAL SPECIFICATION RR-G-661a
3. GRATE AND FRAME HOT DIPPED GALVANIZED AFTER FABRICATION PER ASTM DESIGNATION No. A123
4. STEEL TO BE A36



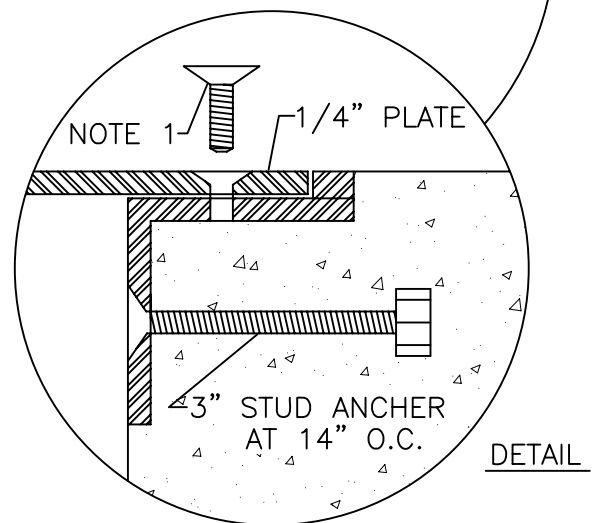
D 07 Inlet Grate.dwg REVISED 2-23-2007

DATE: 04-17-03	CITY OF ARCATA	APPROVED: R.C. Class
DWN: JEE	CATCH BASIN	
CHK: SRB	GRATE DETAIL	
DWG NO: D 07		
		RCE 56487 EXP 6/30/09



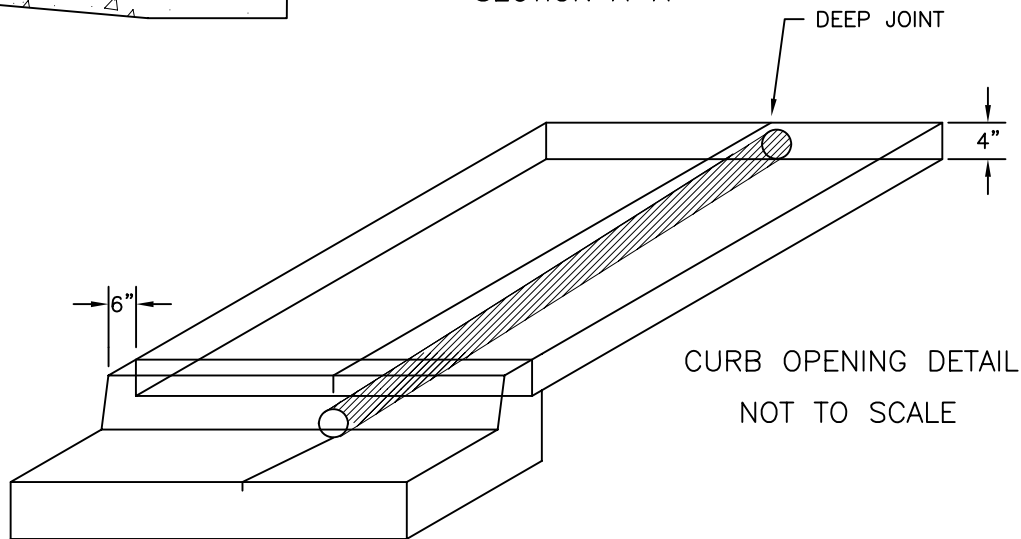
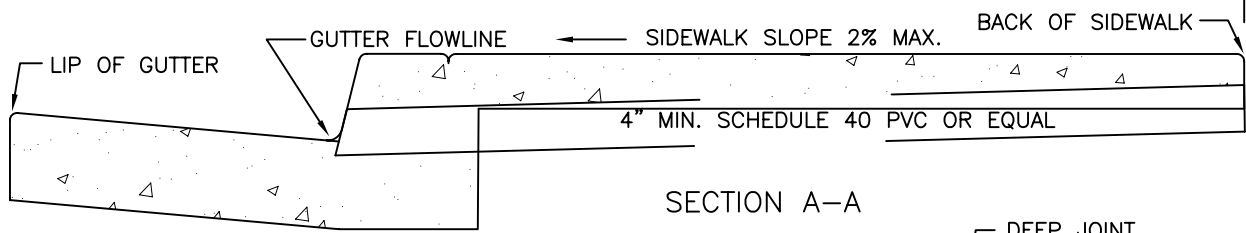
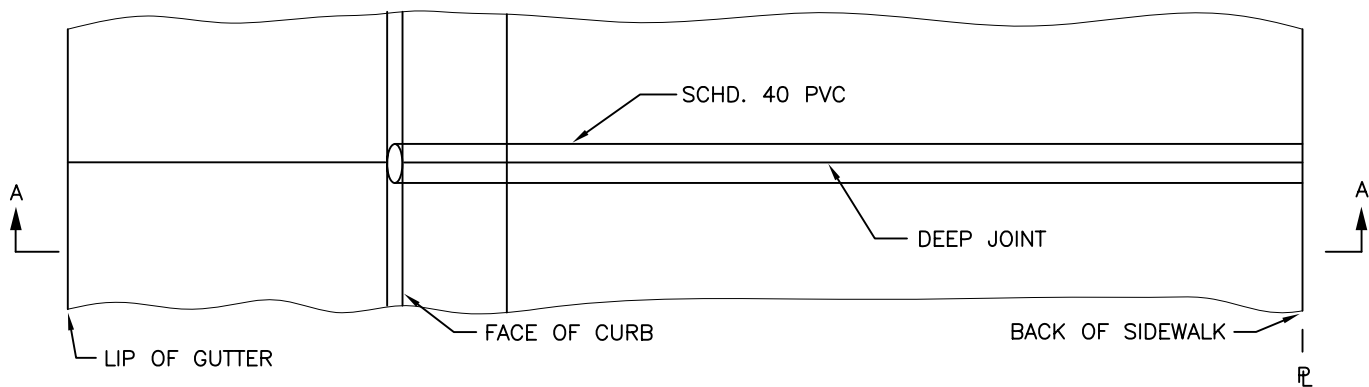
NOTES:

1. 1/4" - 11UNC - 2A FLAT HEAD METAL CAP SCREWS FASTENED AT 24" O.C. TO "L" FRAME
2. 1-1/2" x 1-1/2" x 1/4" "L" FRAME WITH 3/8" x 1/4" STEEL STRIP WELDED TO FRAME
3. ALL EXPOSED METAL PARTS TO BE GALVANIZED AFTER FABRICATION
4. CHECKERED PLATE MAY BE ALUMINIUM OR GALVANIZED STEEL WITH A NON-SLIP SURFACE
5. SIDEWALK DRAIN TO BE CONSTRUCTED AT 90° ANGLE FROM CURB LINE



D 09 Thru Sidewalk Drain.dwg REVISED 2-23-2007

DATE: 04-17-03	CITY OF ARCATA	UNDER SIDEWALK DRAIN	APPROVED: R.C. Class RCE 56487 EXP 6/30/09
DWN: JEE			
CHK: SRB			
DWG NO: D 09			

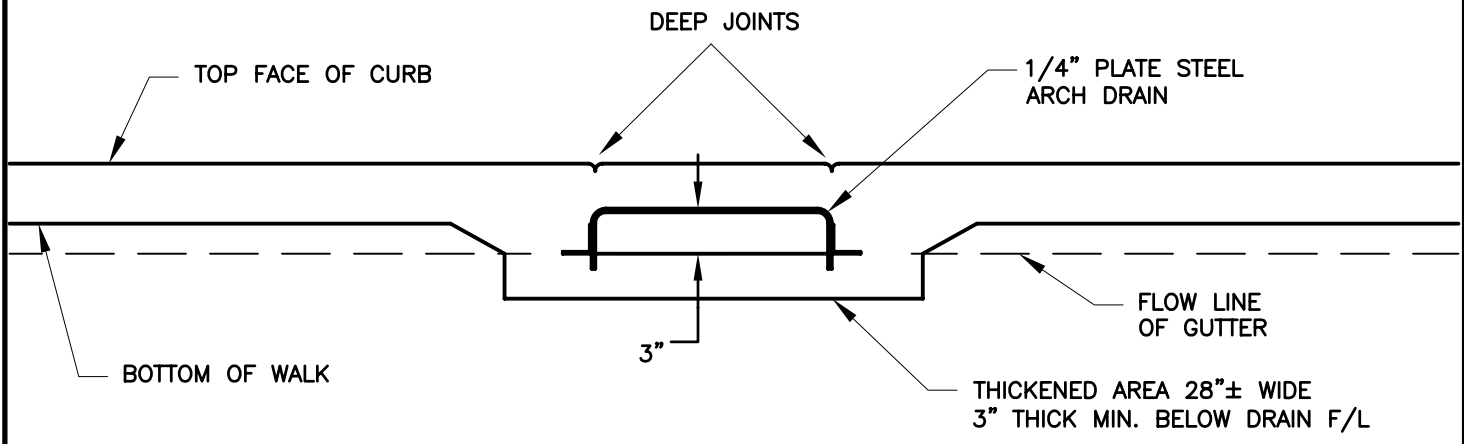
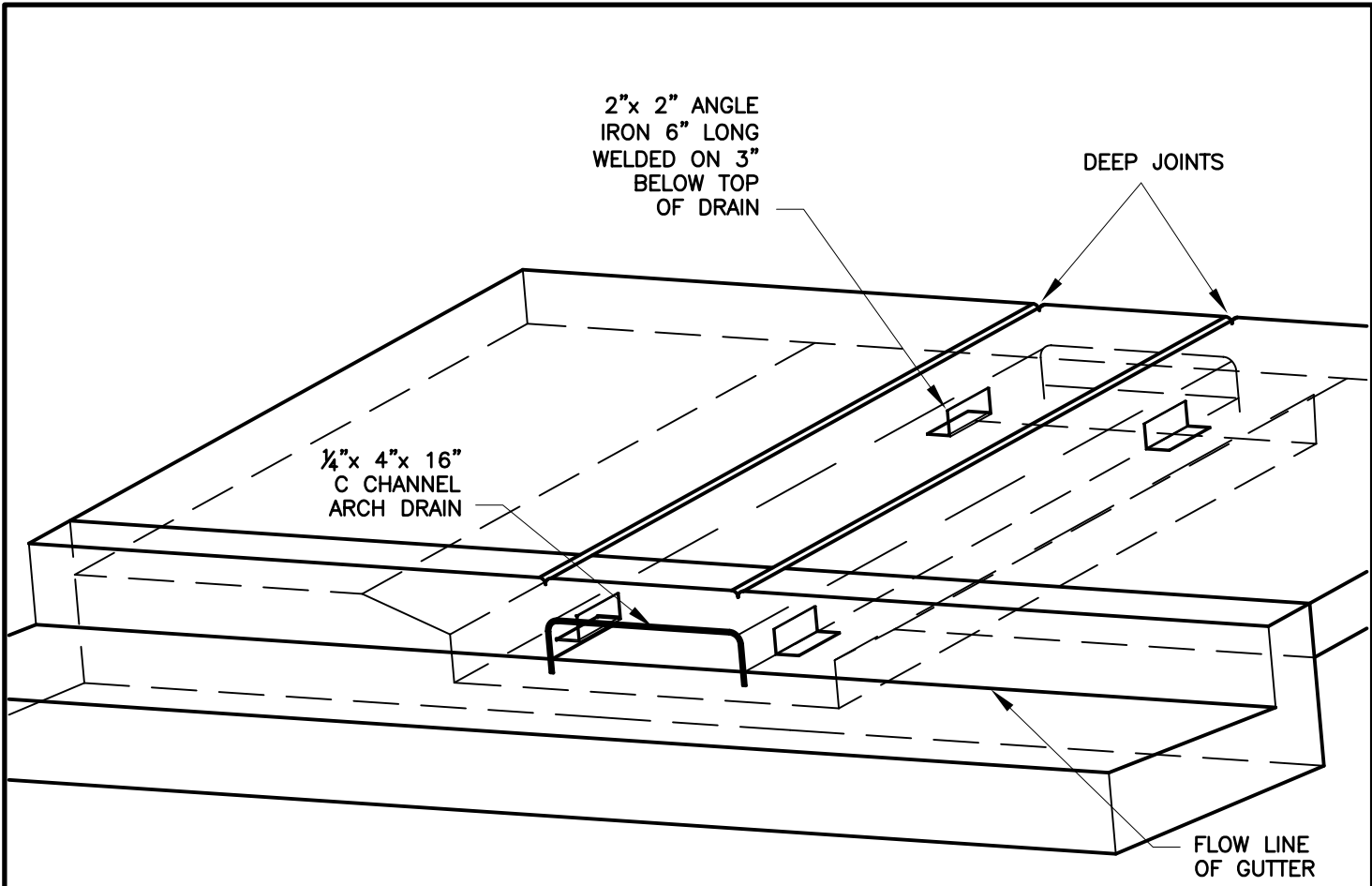


NOTES:

1. ON SITE DRAINAGE AND LOCATION OF CURB OUTLETS SHALL BE BY OWNER AS APPROVED BY THE CITY ENGINEER.
2. DRAIN PIPE SHALL BE INSTALLED SO THAT TOP OF PIPE IS 2" MINIMUM BELOW TOP OF SIDEWALK.
3. FLOOD LINE OF PIPE TO BE INSTALLED BELOW FLOOD LINE OF GUTTER
4. SIDEWALK DRAIN TO BE 4" OR LARGER SCHEDULE 40 RIDGID POLYVINYL CHLORIDE PIPE OR APPROVED EQUAL.
5. DEEP JOINTS TO BE PLACED OVER FULL LENGTH OF PIPE TO GUTTER. MULTI-LINES TO BE APPROVED BY THE CITY ENGINEER.
6. SMOOTH FACE OF GUTTER AT PIPE SHALL BE MAINTAINED WITH NO GAPS.

D 11 Thru Sidewalk Pipe Drain.dwg REVISED 2-23-2007

DATE: 01-16-01	CITY OF ARCATA THRU SIDEWALK PIPE DRAIN	APPROVED: R.C. Class RCE 56487 EXP 69/30/09
DWN: JEE		
CHK: SRB		
DWG NO: D 11		

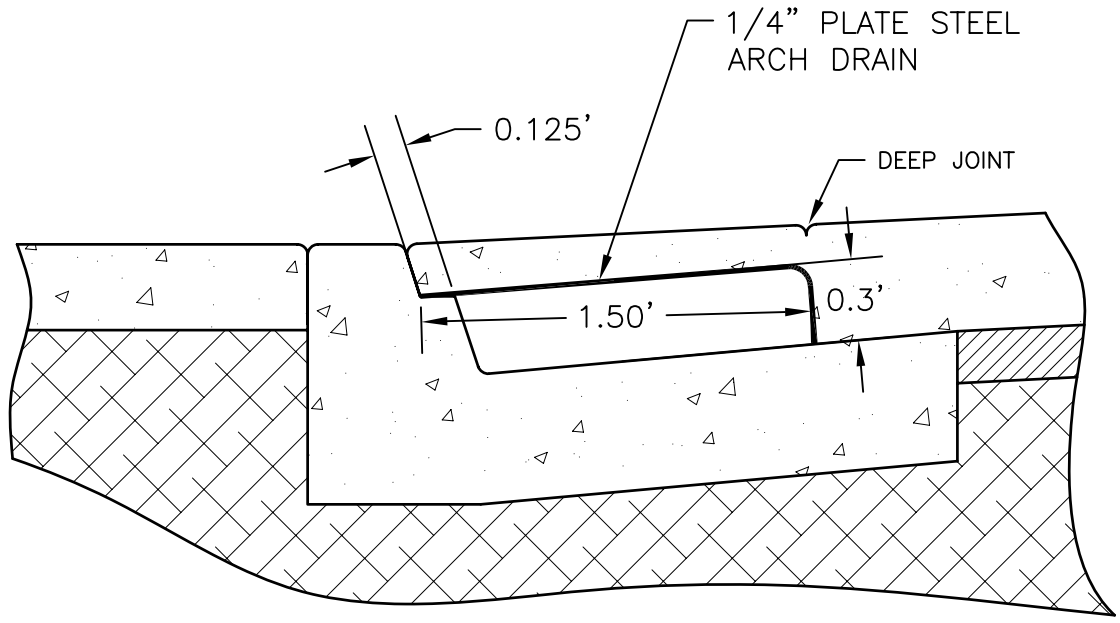
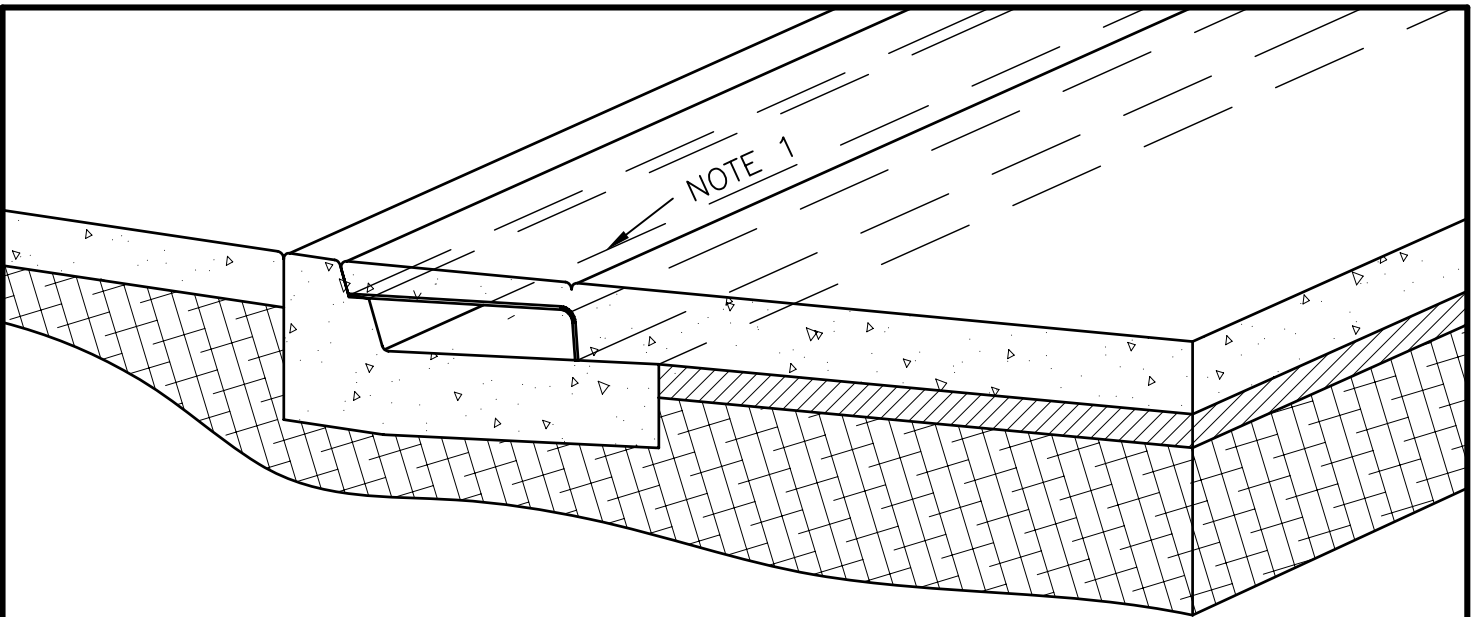


NOTES:

1. BOTTOM OF DRAIN TO BE SMOOTHED PRIOR TO SETTING CHANNEL IN WET CONCRETE.
2. DRAIN TO SLOPE A MIN. OF 2%
3. AFTER SETTING C CHANNEL, THICKENED AREA WILL BE ALLOWED TO SET UP ENOUGH TO PREVENT FURTHER SINKING OF CHANNEL. A COLD JOINT IS ACCEPTABLE.

D 12 Arch Drain.dwg Revised 20/23/2007

DATE: 6/02/05	CITY OF ARCATA	
DWN: TWB	TYPICAL SIDEWALK ARCH DRAIN	APPROVED: R.C. CLASS
CHK:		
DWG NO: D 12		RCE 56487 EXP 6/30/2009

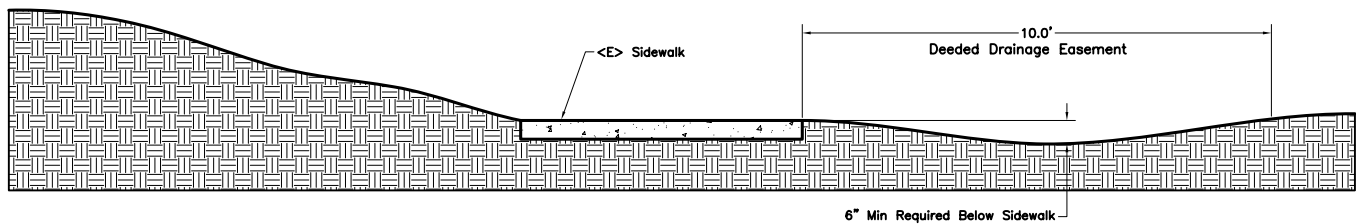


NOTES:

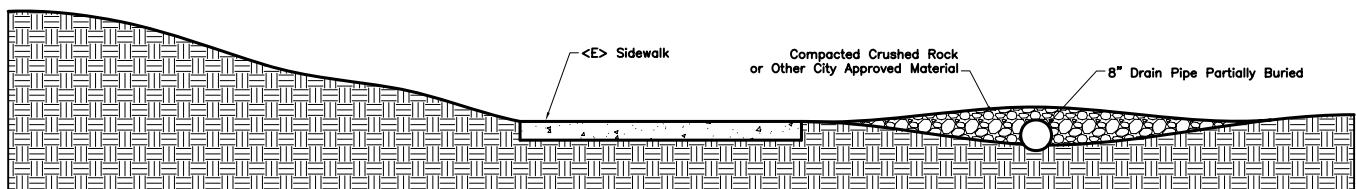
- 1 INVERT GRADE CONFORMS TO SIDEWALK GRADE SHOWN ON PLANS.

D 13 ARCH DRAIN FLOW LINE.dwg Revised 20/23/2007

DATE: 07-11-03	CITY OF ARCATA	
DWN: TWB	TYPICAL ARCH DRAIN	APPROVED: R.C. CLASS
CHK: SRB		
DWG NO: D 13		RCE 56487 EXP 6/30/2009



Drainage Swale Detail



Note: Crossing Width
4' Min. 6' Max.

Recommended Dry
Crossing Path Detail

D 14 Drainage Swale Windsong.dwg Revised 20/23/2007

DATE: 6/02/05

CITY OF ARCATA

DWN: TWB

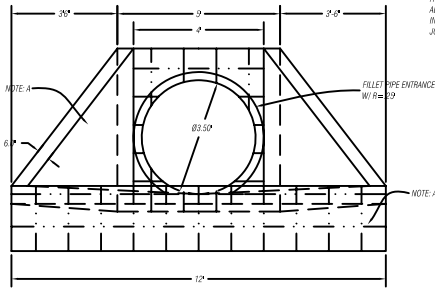
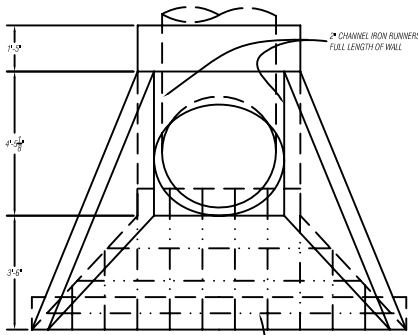
DRAINAGE SWALE
WINDSONG

CHK:

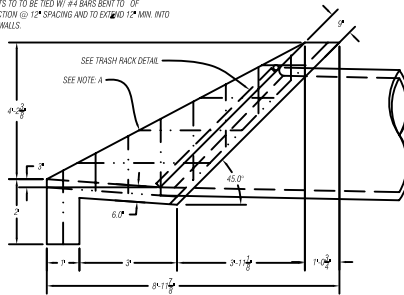
APPROVED: R.C. CLASS

DWG NO: D 14

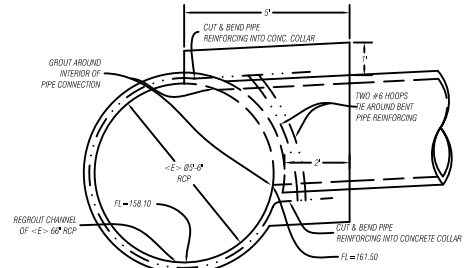
RCE 56487 EXP 6/30/2009



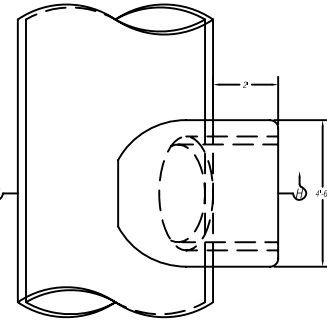
NOTE: A ALL REINFORCING TO BE # 4 BARS @ 12\"/>



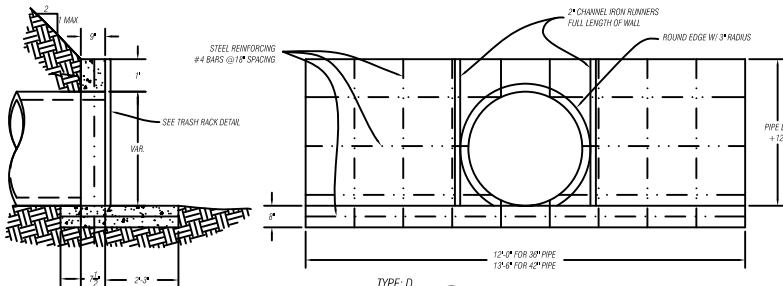
TYPE: A
HEADWALL
SCALE: 1" = 2'



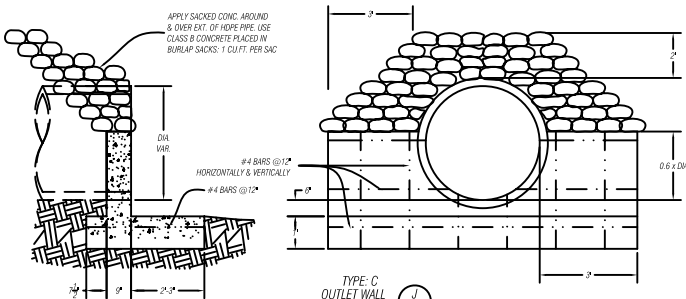
SECTION H-H



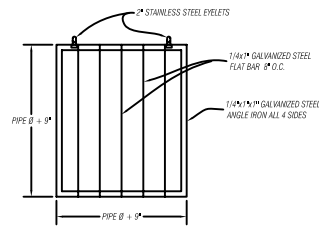
PIE COLLAR
SCALE: 1" = 2'



TYPE: D
HEADWALL
SCALE: 1" = 2'



TYPE: C
OUTLET WALL
SCALE: 1" = 2'



TRASH RACK
SCALE: 1" = 1'

D 15 HEADWALL.dwg

DATE: 6/02/05
DWN: TWB
CHK:
DWG NO: D 15

CITY OF ARCATA

HEADWALL

APPROVED: R.C. CLASS

RCE 56487 EXP 6/30/2009